
F-tone Networks 80km 1550nm SFP+ Optical Transceiver FTCS-151X-80DXX

Features

- ◆
- ◆
- ◆
- ◆
- ◆

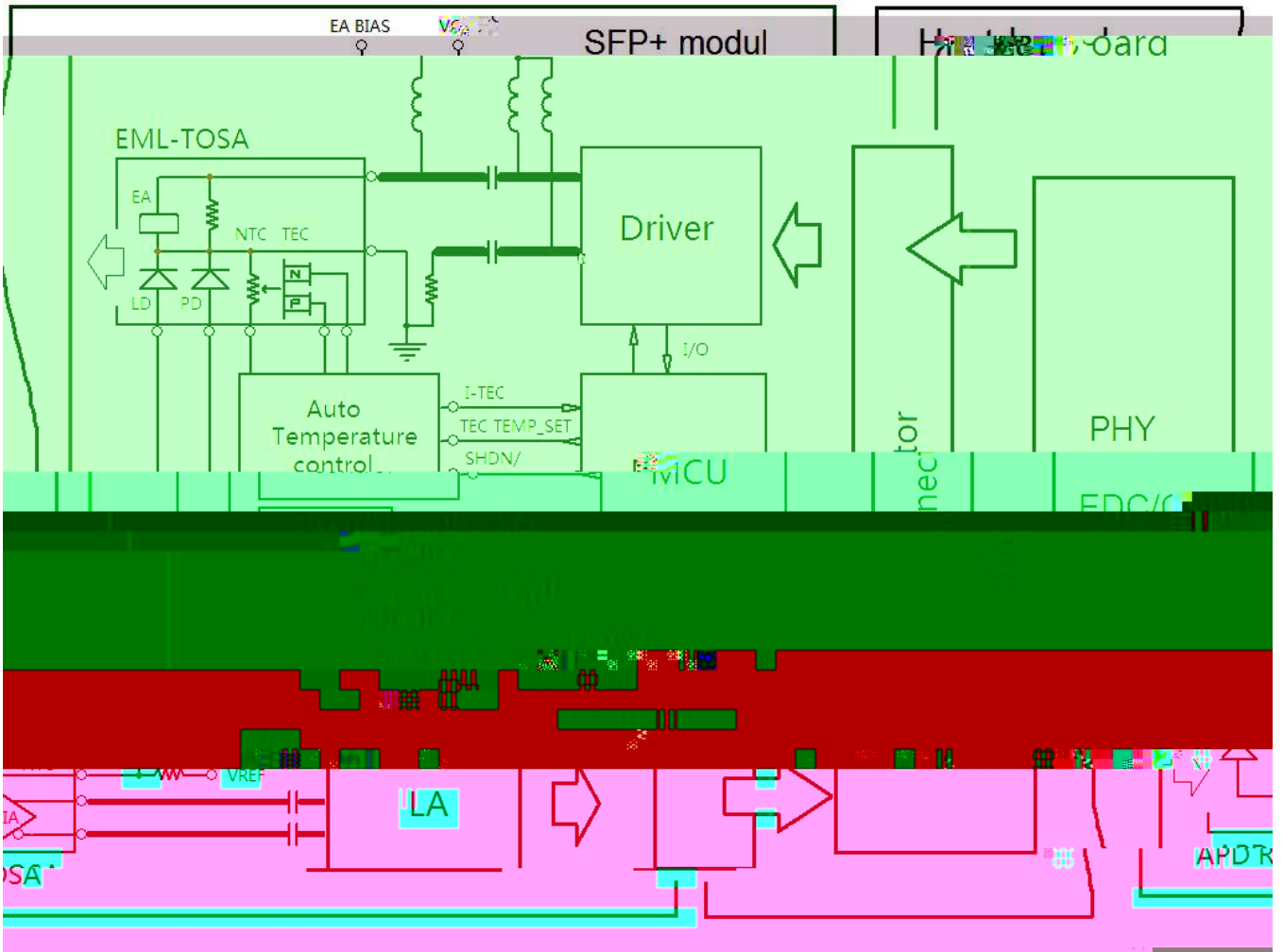


Figure1. Module Block Diagram

Absolute Maximum Ratings

Parameter	Symbol	Min	Max	Unit

Operating Conditions

Parameter	Symbol	Min	Typical	Max	Unit

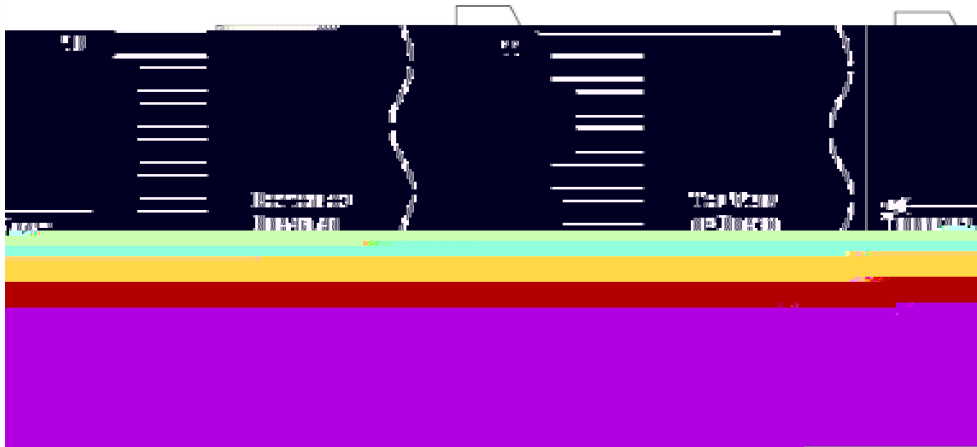


Figure2.Electrical Pin-out Details

Pin Descriptions

Notes:

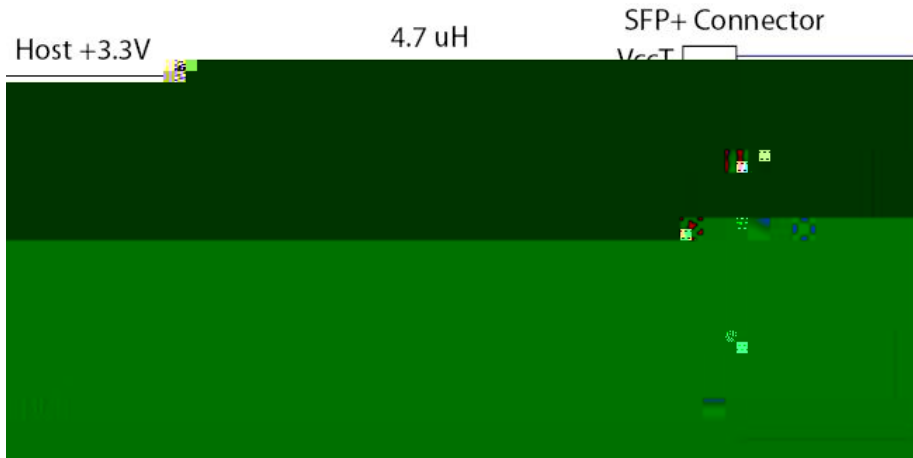


Figure3. Host Board Power Supply Filters Circuit

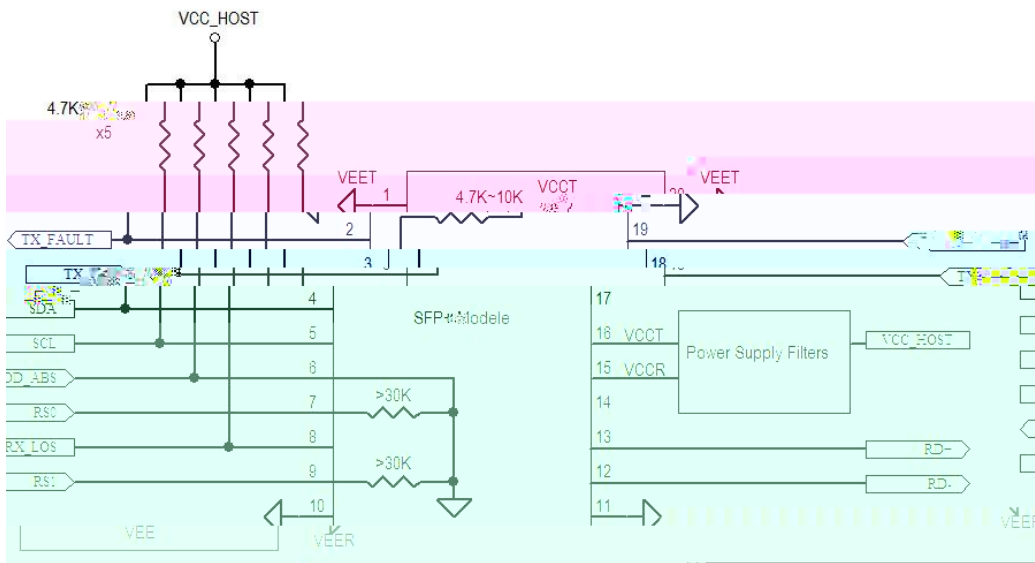


Figure4. Host-Module Interface

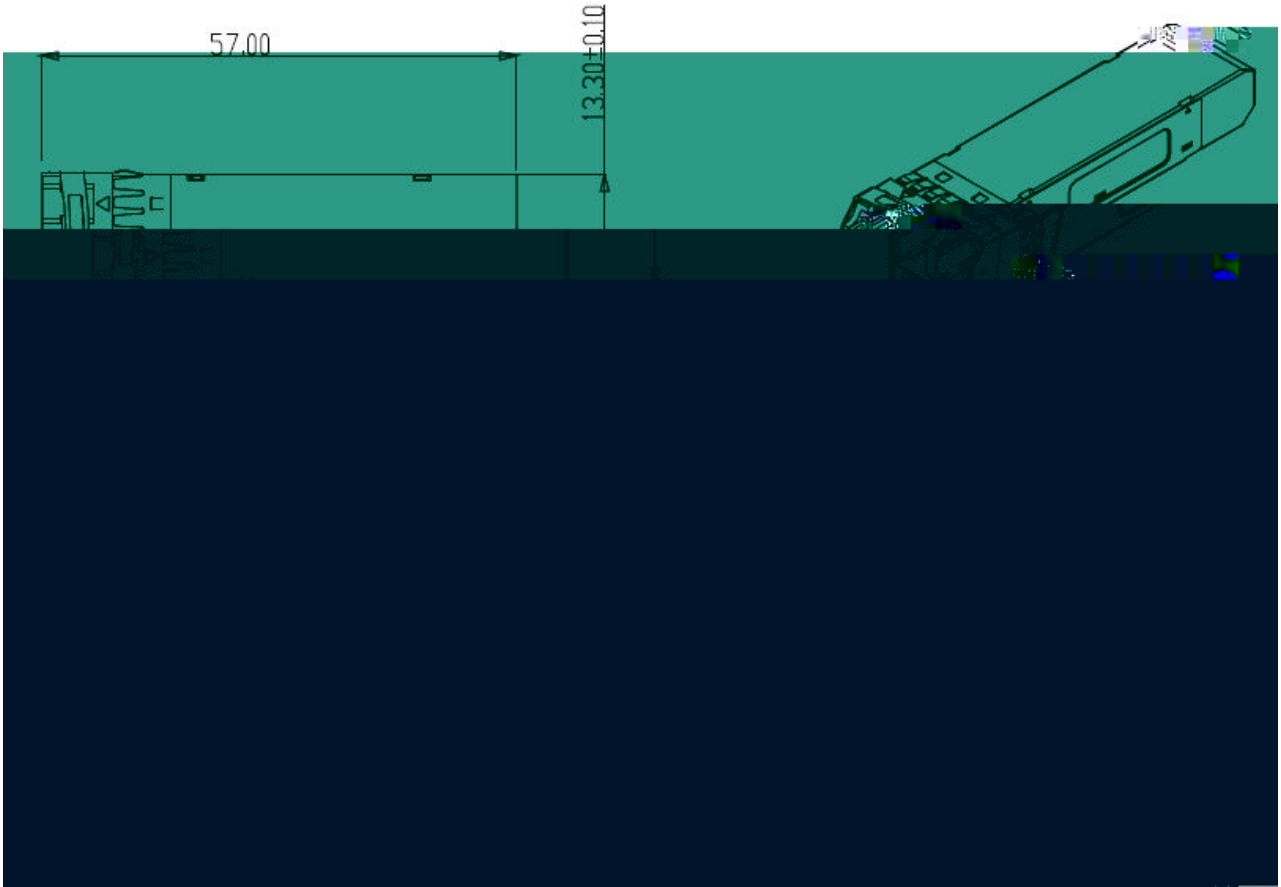


Figure5. Mechanical Specifications

Regulatory Compliance

Feature	Agency	Standard



F-tone Networks

Ordering information

Part Number	Product Description

References

Important Notice